

# End Use Applications

## Introduction

Founded in 1984 by Mr. Milind Kelkar and Mrs Mohini Kelkar, Grind Master is a company that has now become a global technology leader when it comes to microfinishing and robotic machining technologies in the automotive and foundry industries.

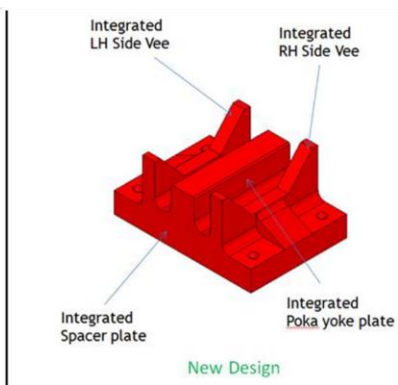
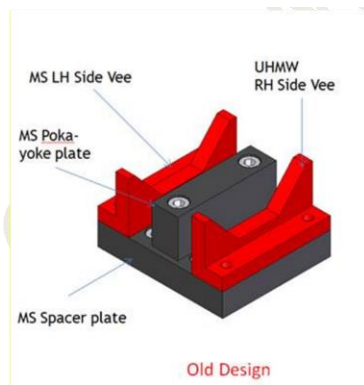
They specialize in providing turnkey solutions for manufacturing and have recently shifted to using 3D printing in their manufacturing processes.



## Their story

Grindmaster is one of the first organizations in the machine tooling sector that has shifted to making use of additive manufacturing within their processes. They have used over 1500 3D printed parts on their machines. Using 3D printing technologies, they have not only made prototypes for their machines, but functional 3D printed parts as well.

One of the main applications they use 3D printing for is V supports which they then mount on the machine conveyors. The conveyors are used for the Automation of their Advanced NANOFINISH range machines- a technology which consists of Superfinishing/ Micro finishing/ Lapping process for generating surface finishes that can only be measured in Nanometers.



For more information: Visit [www.fracktal.in](http://www.fracktal.in)

Contact: [raghav@fracktal.in](mailto:raghav@fracktal.in) ; [sales@grindmaster.co.in](mailto:sales@grindmaster.co.in);

This application use case is intellectual property of Grindmaster